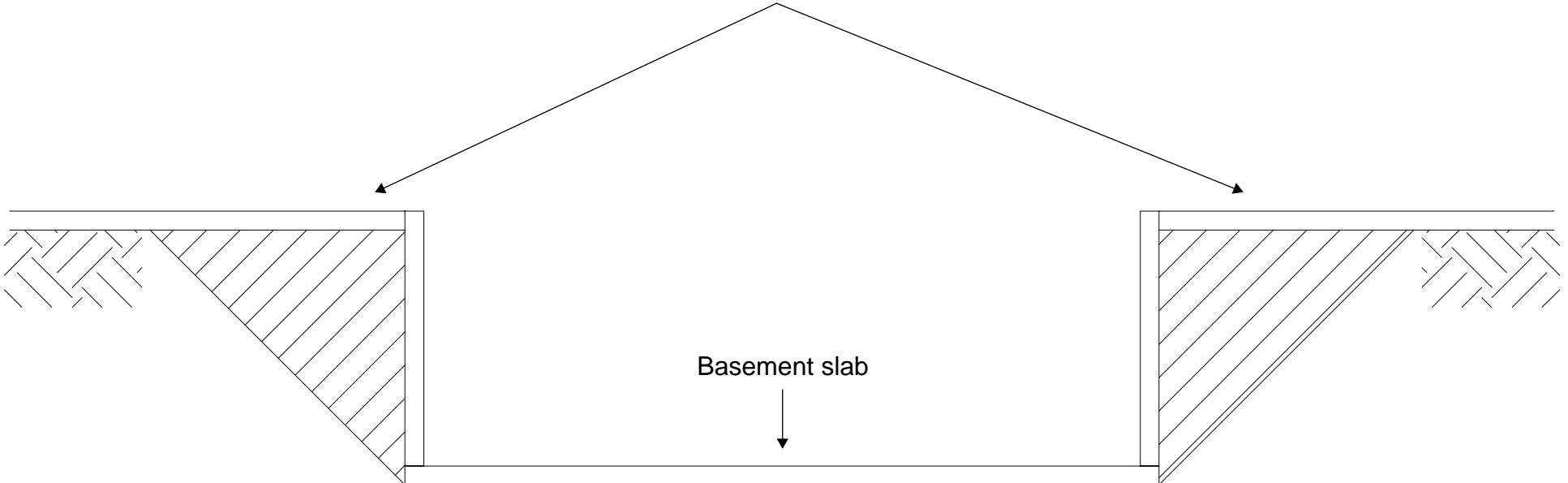
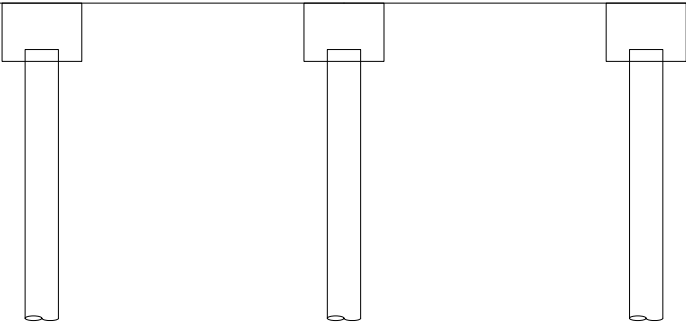


Earth retaining structures



Basement slab



Piles